

EP 3 604 742 A1

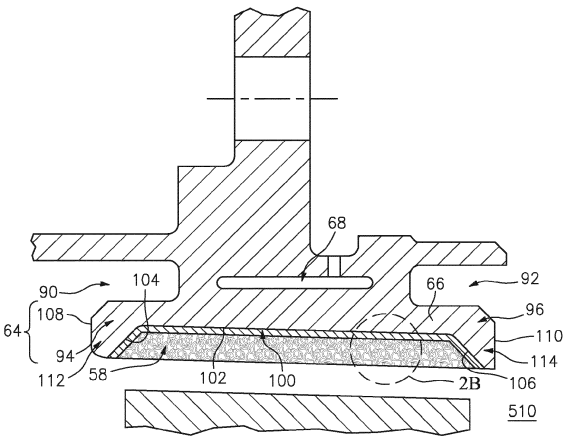


FIG. 2A

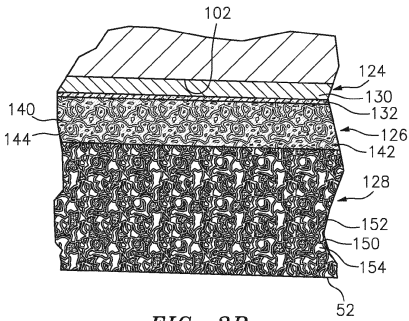


FIG. 2B

Q: [vqa] What is the CPC class of the patent?

A: B

Q: [caption] What is the title of the patent?

A: Outer Airseal abraddable rub strip

Q: [grounding] Can you list the components represented in the figure?

A: The components are: porosity (142), aft surfaces (104), surface (52), band (66), aft channels (90), aftmost portions (112), solid lubricant (152), forward rim (108), ceramic (144), adding cooling features (68), porosity (154)...

Q: [vqa] What is the viewpoint of the figures?

A: Cross-sectional view

Q: [vqa] How many figures are present on the image?

A: 2

Q: [vqa] Please, list the figures represented on the image:

A: FIG2A, FIG2B

Q: [caption] Please, provide the short description for each figure:

A: FIG2A is a schematic axial cross-sectional view of an embodiment of an outer airseal of the compressor of a gas turbine engine at detail 2A of FIG2. FIG2B is a coating cross-section at detail 2B of FIG2..

Q: [long] Please, provide the long description for each figure:

A: FIG2A further shows respective fore and aft channels 90 and 92 outboard of corresponding cantilevered portions 94 and 96 of the substrate band 66 for capturing associated flanges of adjacent stages of stator segments ...

Q: [long] Please, provide a corresponding minimal claim set:

A: 1. A blade outer airseal having: a body comprising: an inner diameter (ID) surface; an outer diameter (OD) surface; a leading end; a trailing end; a metallic substrate; and a coating system atop the substrate along at least a portion of the inner diameter surface, wherein: (a) at least over a first area of the inner diameter surface, the coating system comprises an abraddable layer comprising ...